



# Towable Passenger Stairs

---



# JT2 GROUP

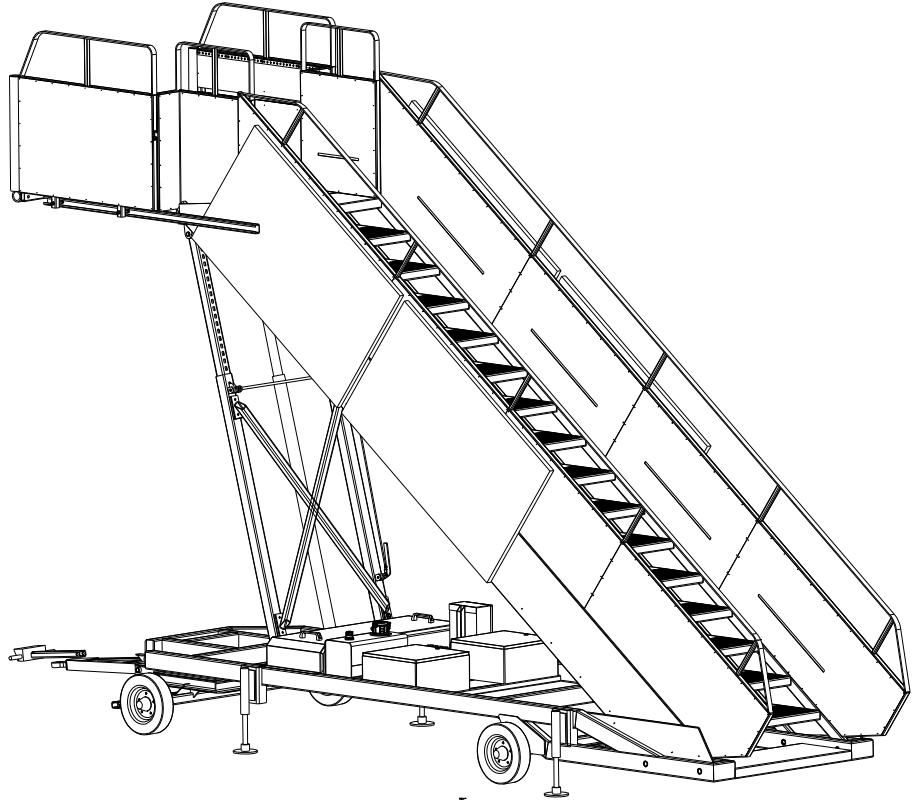
Ground Support Equipment

[www.JT2Group.com](http://www.JT2Group.com)

# Passenger Stairs Specification

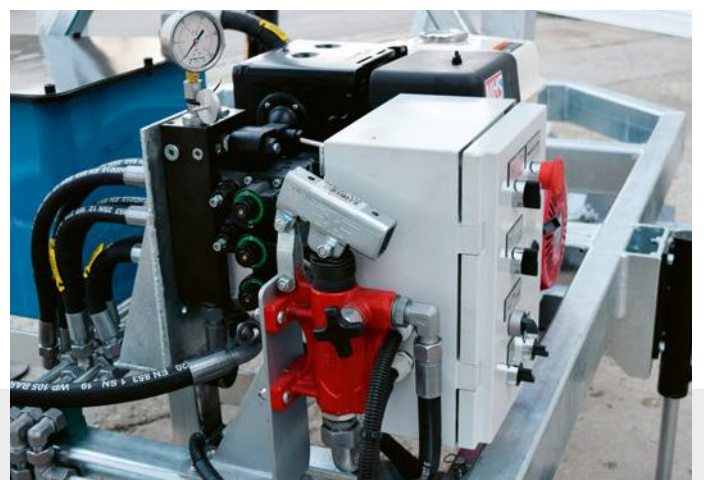
JT2's towable passenger stairs are designed to provide passenger access to all types of commercial aircrafts covering door height between 1.8m and 5.8m.

Our stairs are in accordance to all relevant IATA AHM norms and EC directives.



## Standard configuration:

- Robust construction
- Chassis hot dip galvanized
- Side sliding panels on platform with rubber bumpers
- Side panels painted with prime and finished with two component RAL colour
- Staircase and platform made from antislip aluminium sheets
- Front platform with spring-telescopic mechanism
- Rubber bumpers on front side of platform
- Mechanical lock for staircase in working position
- Hydraulic hand pump for staircase and stabilizers
- Solid tyres
- Steerable tow bar with parking brake
- Reflective marking adhesive tapes





## Options available:

- Side pannels on inner sides of staircase and platform
- LED lights - stairs and worklight (12V/95Ah battery)
- Diesel hydraulic power pack
- DC hydraulic power pack
- AC hydraulic power pack
- Battery charger
- Automotive drive - pedestrian mode
- Indicator for platform height - decimal scale (requires hydraulic power pack)
- Canopy
- Stainless steel hand rails
- Solar panels kit for battery charging

Stairs

	<b>EP 1828</b>	<b>EP 1838</b>	<b>EP 2458</b>
Working height, min.	<b>1800mm</b>	<b>1800mm</b>	<b>2400mm</b>
Working height, max.	<b>2800mm</b>	<b>3800mm</b>	<b>5800mm</b>
Lenght	<b>6250mm</b>	<b>7450mm</b>	<b>9750mm</b>
Width	<b>1950mm</b>	<b>1950mm</b>	<b>1950mm</b>
Staircase width	<b>1200mm</b>	<b>1200mm</b>	<b>1200mm</b>
Platform width	<b>1520mm</b>	<b>1570mm</b>	<b>1800mm</b>
First step height	<b>230mm</b>	<b>230mm</b>	<b>230mm</b>
Stabilizers	<b>4</b>	<b>4</b>	<b>4</b>
Capacity, one step	<b>200kg</b>	<b>200kg</b>	<b>200kg</b>
Capacity, platform	<b>500kg</b>	<b>500kg</b>	<b>500kg</b>



# Your Success is our Goal.

---

**We offer better, faster, more effective ways  
to get the job done.**



**JT2** GROUP  
Ground Support Equipment

**Main Office**

JT2 Group GmbH  
Münchner Str. 19a  
82319 Starnberg  
Germany

**Communication**

Telephone: +49 (0)8151 / 99 86 79 - 0  
Fax: +49 (0)8151 / 99 86 79 - 9  
Email: [info@JT2Group.com](mailto:info@JT2Group.com)  
Web: [www.JT2Group.com](http://www.JT2Group.com)